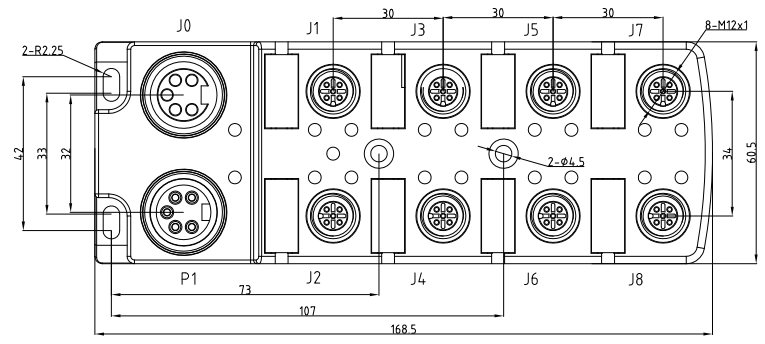
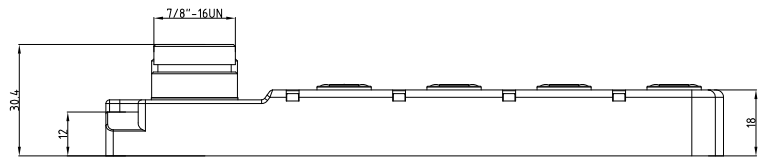
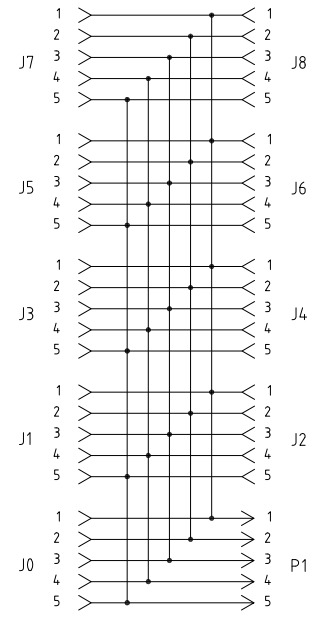


SPECIFICATIONS	
HOUSING MATERIAL/COLOR	PBT/BLACK
CONTACT CARRIER MATERIAL/COLOR	TPU/BLACK
CONTACTS	BRASS/GOLD
RECEPTACLE MATERIAL/PLATING	BRASS/NICKEL
O-RING MATERIAL	FPM/FKM
OPERATING TEMPERATURE	-25°C — +75°C
PROTECTION CLASS	IEC IP67
OPERATING CURRENT	4A
OPERATING VOLTAGE	600V



WIRING DIAGRAM



UNIT OF MEASUREMENT	MILLIMETER		GSEE TECH			
Tianjin Geneuo Technology Co.,Ltd						
Approved: Date:	Date: 2018.5.16	Description: JB8ENK-2DN-E811				
Process: Date:	Scale: 1:1					
Checked: Date:	3RD Angle Projection		www.gsee-tech.cn www.gsee-tech.com			
Designed: Date:			SOURCE DRAWING-FOR REFERENCE ONLY			
REV	COUNT	DESCRIPTION OF REVISIONS	BY	CHECKED	DATE	REV A