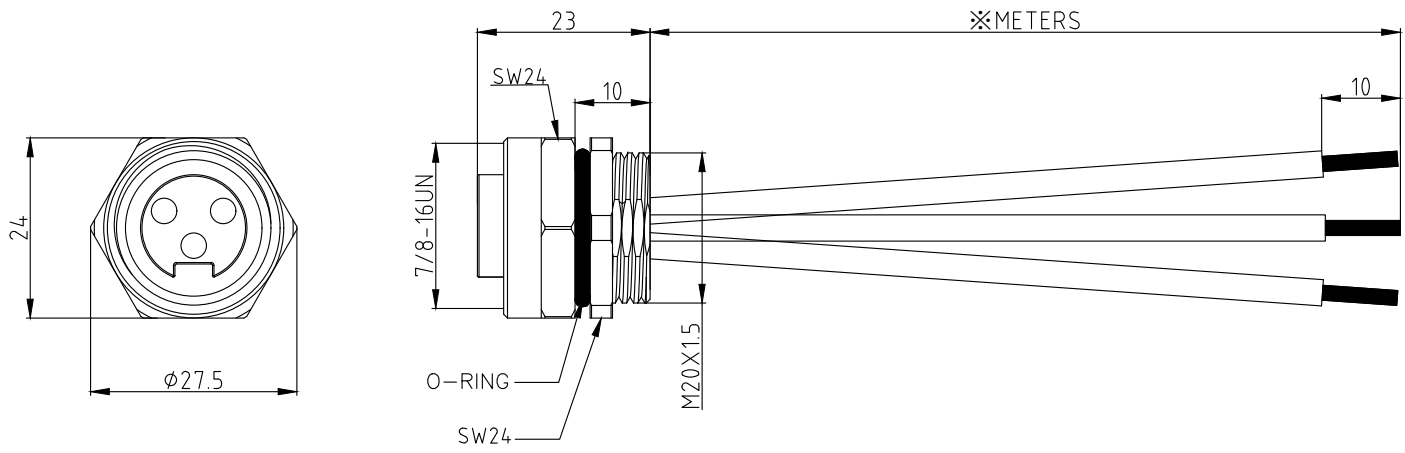


SPECIFICATIONS	
CONTACT CARRIER MATERIAL/COLOR	TPU/BLACK
CONTACT MATERIAL/PLATING	BRASS/GOLD
HOUSING MATERIAL/PLATING	ZINC/NICKEL
O-RING MATERIAL	NBR
OPERATING CURRENT	9A
OPERATING VOLTAGE	600 V
CONDUCTOR INSULATION MATERIAL	PVC
NUMBER OF CONDUCTORS (AWG)	3 x 16 AWG
OPERATING TEMPERATURE	-25°C — +85°C
PROTECTION CLASS	IEC IP67



CABLE LENGTH	TOLERANCE
ALL LENGTHS	+4% (OR 50mm) OF LENGTH -0% (OR 0mm) OF LENGTH WHICHEVER IS GREATER
STRIP LENGTH	TOLERANCE
0 - 7mm	± 1.0mm
8 - 29mm	± 1.5mm
30 - 49mm	± 2.0mm
50 - 69mm	± 3.0mm
70 - 100mm	± 4.0mm
over 100mm	± 5.0mm

REV	COUNT	DESCRIPTION OF REVISIONS	BY	CHECKED	DATE

UNIT OF MEASUREMENT MILLIMETER	Tianjin Geneuo Technology Co.,Ltd	
Approved: Date:	Date: 2019.2.2	Description: FMK32-※/M20
Process: Date:	Scale: 1:1	
Checked: Date:	3RD Angle Projection	www.gsee-tech.cn www.gsee-tech.com
Designed: WY Date: 2019.2.2		
SOURCE DRAWING-FOR REFERENCE ONLY		