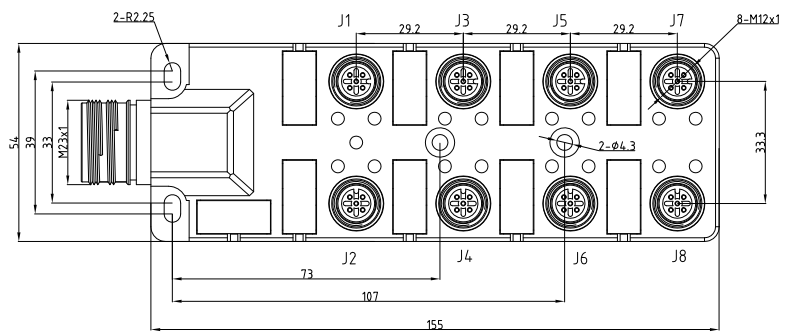
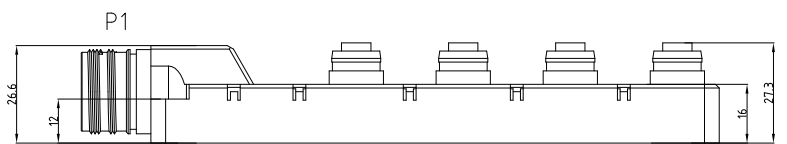
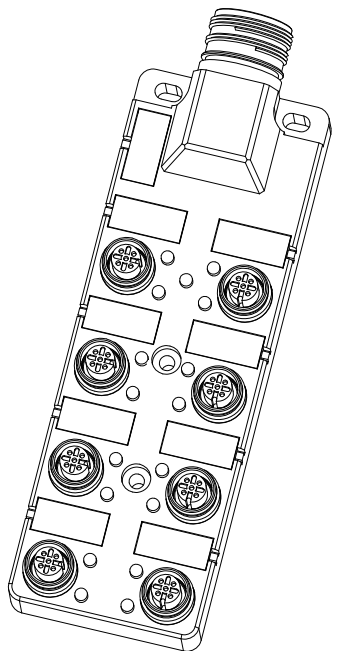
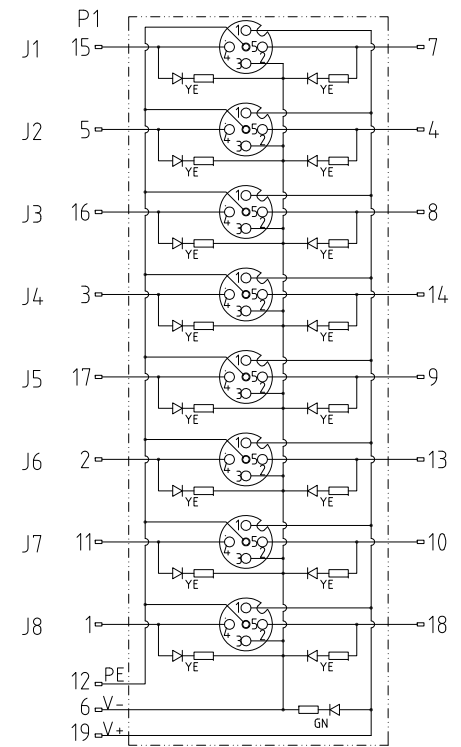


SPECIFICATIONS	
HOUSING MATERIAL/COLOR	NYLON/BLACK
CONTACT CARRIER MATERIAL/COLOR	TPU/BLACK
CONTACTS	BRASS/GOLD
RECEPTACLE MATERIAL/PLATING	BRASS/NICKEL
O-RING MATERIAL	FPM/FKM
OPERATING CURRENT	2A PER SIGNAL, 9A TOTAL
OPERATING VOLTAGE	10-30V
OPERATING TEMPERATURE	-25°C — +85°C
PROTECTION CLASS	IEC IP67



WIRING DIAGRAM



UNIT OF MEASUREMENT	MILLIMETER		<p>Tianjin Geneuo Technology Co.,Ltd</p>				
Approved: Date:	Date:	Description:					
Process: Date:	Date:	2018.5.16	JB8M12-4P-R				
Checked: Date:	Date:	Scale:	1:1	www.gsee-tech.cn www.gsee-tech.com			
Designed: Date:	Date:	3RD Angle Projection			REV A		
REV	COUNT	DESCRIPTION OF REVISIONS	BY	CHECKED	DATE	SOURCE DRAWING-FOR REFERENCE ONLY	