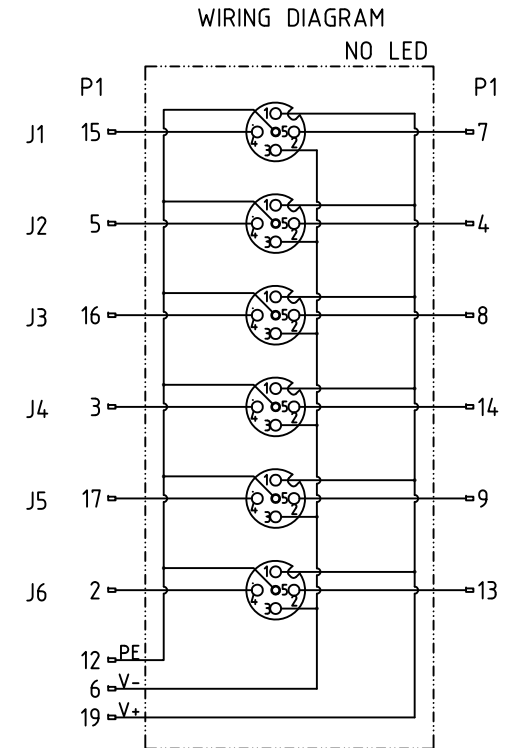
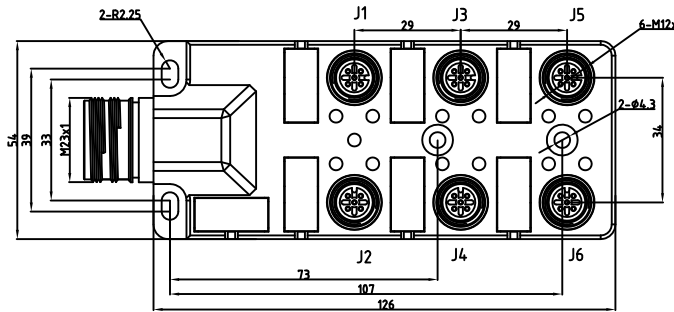
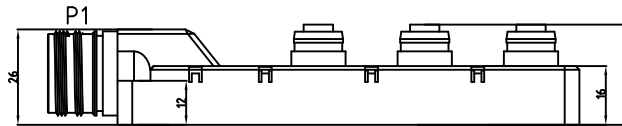
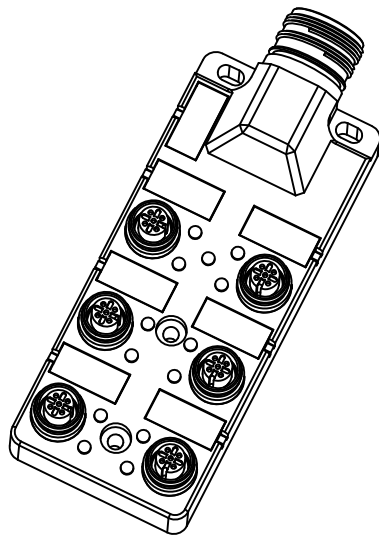


SPECIFICATIONS	
HOUSING MATERIAL/COLOR	NYLON/BLACK
CONTACT CARRIER MATERIAL/COLOR	NYLON/BLACK
CONTACTS	TPU/GOLD
RECEPTACLE MATERIAL/PLATING	BRASS/NICKEL
O-RING MATERIAL	FPM/FKM
OPERATING CURRENT	2A PER SIGNAL, 9A TOTAL
OPERATING VOLTAGE	10-30V
OPERATING TEMPERATURE	-25°C — +85°C
PROTECTION CLASS	IEC IP67



UNIT OF MEASUREMENT MILLIMETER	<b>G T GSEE TECH</b>						
<b>Tianjin Geneuo Technology Co.,Ltd</b>							
Approved: Date:	Date: 2018.5.16	Description: JB6M12-4-R					
Process: Date:	Scale: 1:1						
Checked: Date:	3RD Angle Projection	www.gsee-tech.cn www.gsee-tech.com					
Designed: Date:			REV A				
REV	COUNT	DESCRIPTION OF REVISIONS	BY	CHECKED	DATE	SOURCE DRAWING-FOR REFERENCE ONLY	

REV	COUNT	DESCRIPTION OF REVISIONS	BY	CHECKED	DATE