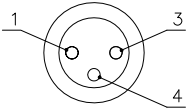


FEMALE END VIEW

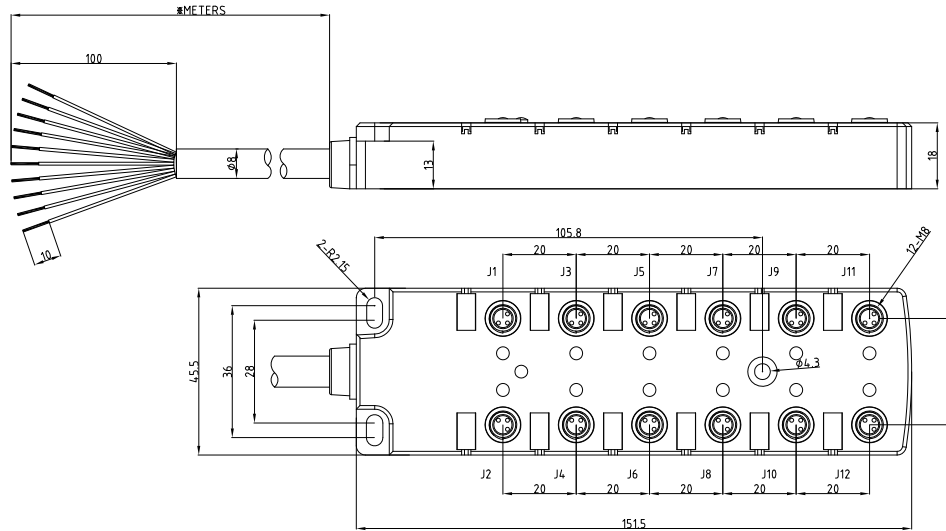
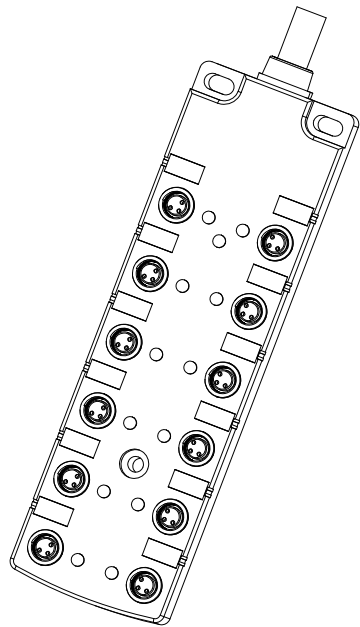
J1-J12

- 1 - V+
- 3 - V-
- 4 - Signal

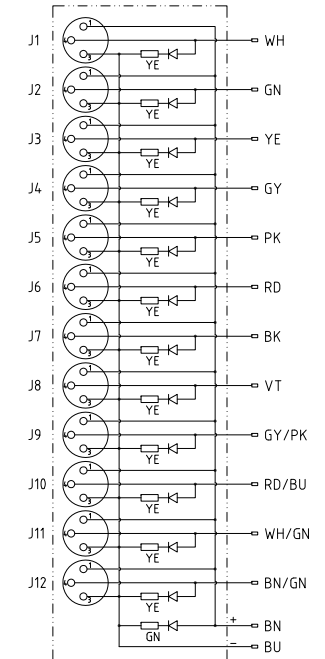


SPECIFICATIONS

HOUSING MATERIAL/COLOR	NYLON/BLACK
CONTACT CARRIER MATERIAL/COLOR	NYLON/BLACK
CONTACTS	BRASS/GOLD
RECEPTACLE MATERIAL/PLATING	BRASS/NICKEL
O-RING MATERIAL	FKM/FPM
NUMBER OF CONDUCTORS	2x20AWG+12x24AWG
CABLE OUTER MATERIAL/COLOR	PVC/BLACK
OPERATING CURRENT	2A PER SIGNAL, 6A TOTAL
OPERATING VOLTAGE	10-30V
OPERATING TEMPERATURE	-25°C — +85°C
PROTECTION CLASS	IEC IP67



WIRING DIAGRAM



CABLE LENGTH	TOLERANCE
ALL LENGTHS	+4%(OR 50mm) OF LENGTH -0%(OR 0mm) OF LENGTH WHICHEVER IS GREATER
STRIP LENGTH	TOLERANCE
0 - 7mm	± 1.0mm
8 - 29mm	± 1.5mm
30 - 49mm	± 2.0mm
50 - 69mm	± 3.0mm
70 - 100mm	± 4.0mm
over 100mm	± 5.0mm

REV	COUNT	DESCRIPTION OF REVISIONS	BY	CHECKED	DATE

UNIT OF MEASUREMENT	MILLIMETER	
<b>Tianjin Geneuo Technology Co.,Ltd</b>		
Approved: Date:	Date: 2017.5.30	Description: JBW12M8-3P-D2
Process: Date:	Scale: 1:1	
Checked: Date:	3RD Angle Projection 	www.gsee-tech.cn www.gsee-tech.com
Designed: Date:		SOURCE DRAWING-FOR REFERENCE ONLY
		REV A

