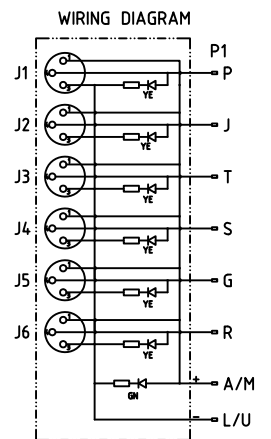
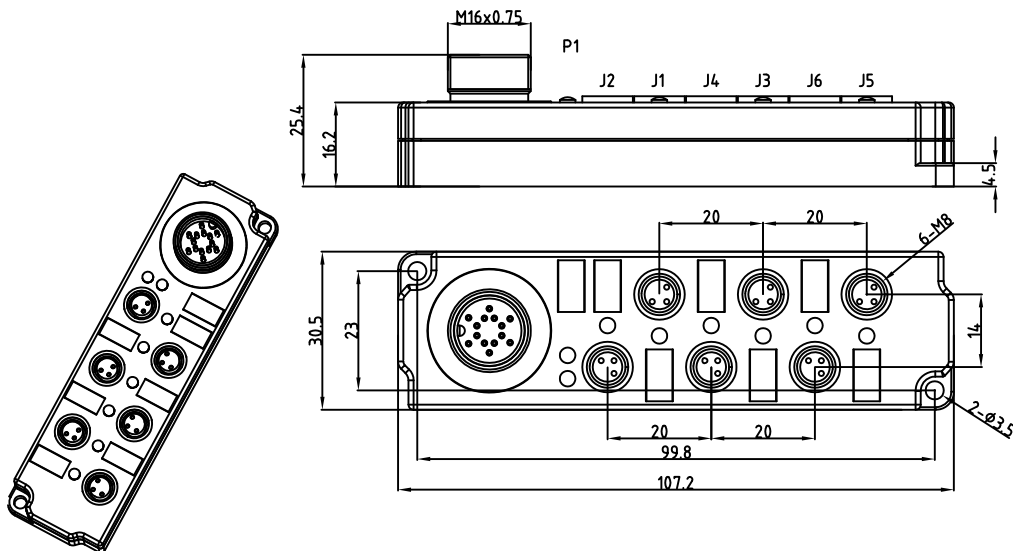


SPECIFICATIONS	
HOUSING MATERIAL/COLOR	NYLON/BLACK
CONTACT CARRIER MATERIAL/COLOR	NYLON/BLACK
CONTACTS	BRASS/GOLD
RECEPTACLE MATERIAL/PLATING	BRASS/NICKEL
O-RING MATERIAL	FKM/FPM
OPERATING CURRENT	2A PER SIGNAL, 6A TOTAL
OPERATING VOLTAGE	10-30V
OPERATING TEMPERATURE	-25°C — +85°C
PROTECTION CLASS	IEC IP67



UNIT OF MEASUREMENT
MILLIMETER

Tianjin Geneuo Technology Co.,Ltd



--	--	--	--	--	--

Approved:	Date:
Date:	2017.5.30
Process:	Scale:
Date:	2:1

Description:
JB6M8-3P-M16