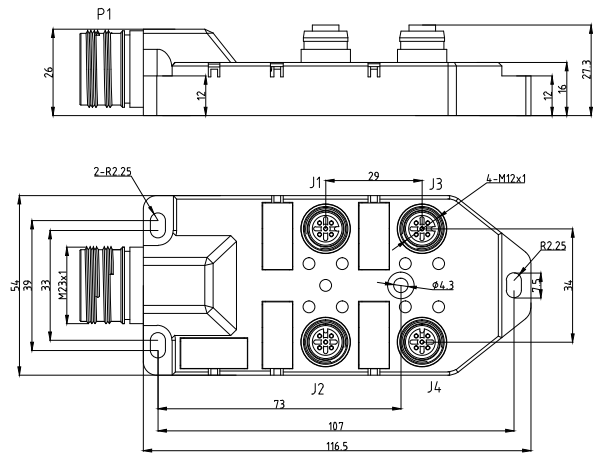
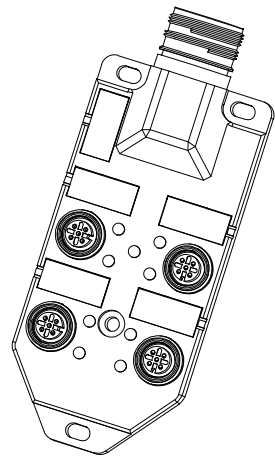
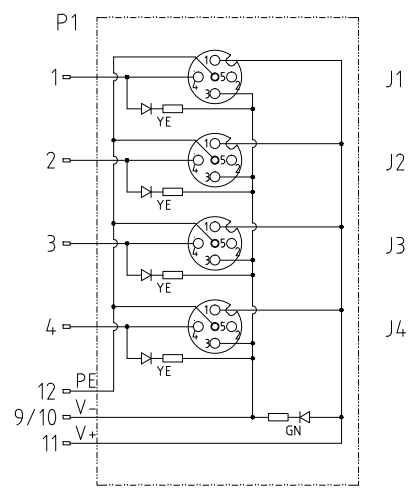


SPECIFICATIONS	
HOUSING MATERIAL/COLOR	NYLON/BLACK
CONTACT CARRIER MATERIAL/COLOR	TPU/BLACK
CONTACTS	BRASS/GOLD
RECEPTACLE MATERIAL/PLATING	BRASS/NICKEL
O-RING MATERIAL	FPM/FKM
OPERATING CURRENT	2A PER SIGNAL, 9A TOTAL
OPERATING VOLTAGE	10-30V
OPERATING TEMPERATURE	-25°C — +85°C
PROTECTION CLASS	IEC IP67



WIRING DIAGRAM



UNIT OF MEASUREMENT MILLIMETER	<b>GSEE TECH</b>													
<b>Tianjin Geneuo Technology Co.,Ltd</b>														
Approved: Date:	Date: 2018.5.16	Description: JB4M12-4P												
Process: Date:	Scale: 1:1													
Checked: Date:	3RD Angle Projection	www.gsee-tech.cn www.gsee-tech.com												
Designed: Date:		REV A												
<table border="1"> <thead> <tr> <th>REV</th> <th>COUNT</th> <th>DESCRIPTION OF REVISIONS</th> <th>BY</th> <th>CHECKED</th> <th>DATE</th> </tr> </thead> <tbody> <tr> <td> </td> <td> </td> <td> </td> <td> </td> <td> </td> <td> </td> </tr> </tbody> </table>		REV	COUNT	DESCRIPTION OF REVISIONS	BY	CHECKED	DATE							SOURCE DRAWING-FOR REFERENCE ONLY
REV	COUNT	DESCRIPTION OF REVISIONS	BY	CHECKED	DATE									