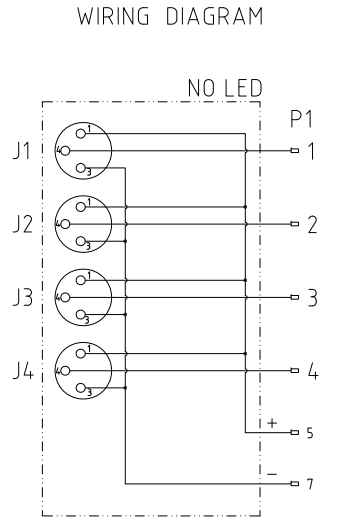
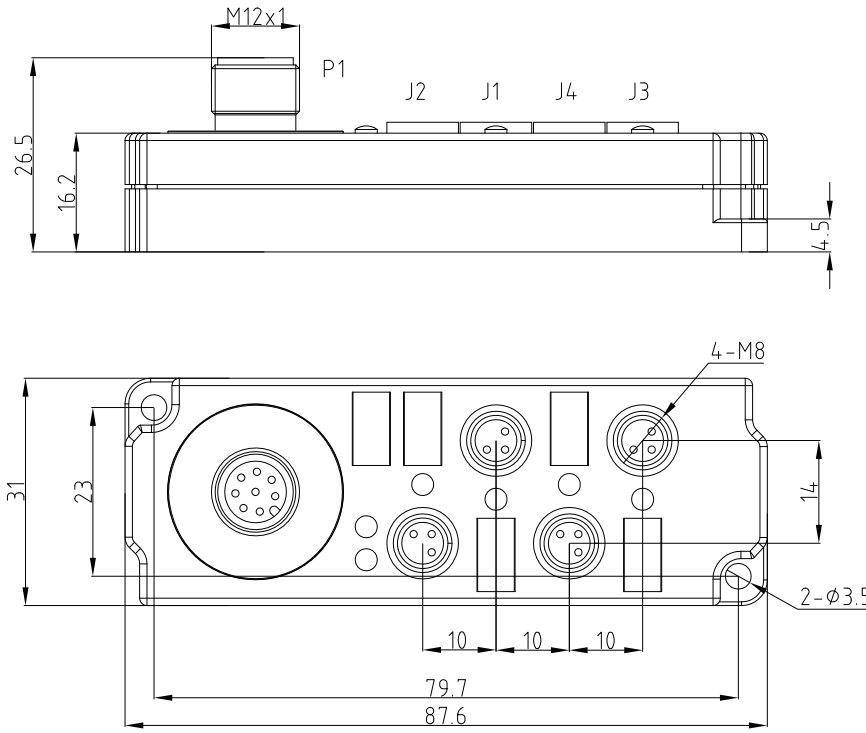
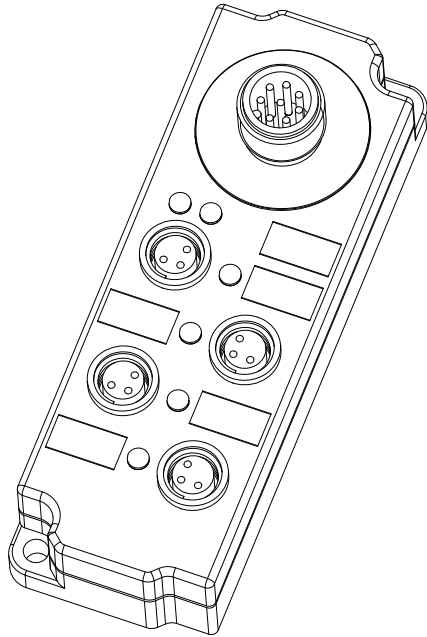


SPECIFICATIONS	
HOUSING MATERIAL/COLOR	NYLON/BLACK
CONTACT CARRIER MATERIAL/COLOR	NYLON/BLACK
CONTACTS	BRASS/GOLD
RECEPTACLE MATERIAL/PLATING	BRASS/NICKEL
O-RING MATERIAL	FPM/FKM
OPERATING CURRENT	2A PER SIGNAL, 6A TOTAL
OPERATING VOLTAGE	10-30V
OPERATING TEMPERATURE	-25°C — +85°C
PROTECTION CLASS	IEC IP67



UNIT OF MEASUREMENT MILLIMETER	GSEE TECH					
Tianjin Geneuo Technology Co.,Ltd						
Approved: Date:	Date: 2017.5.30	Description: JB4M8-3-M12				
Process: Date:	Scale: 2:1					
Checked: Date:	3RD Angle Projection					
Designed: Date:			www.gsee-tech.cn www.gsee-tech.com			
REV	COUNT	DESCRIPTION OF REVISIONS	BY	CHECKED	DATE	SOURCE DRAWING-FOR REFERENCE ONLY REV A