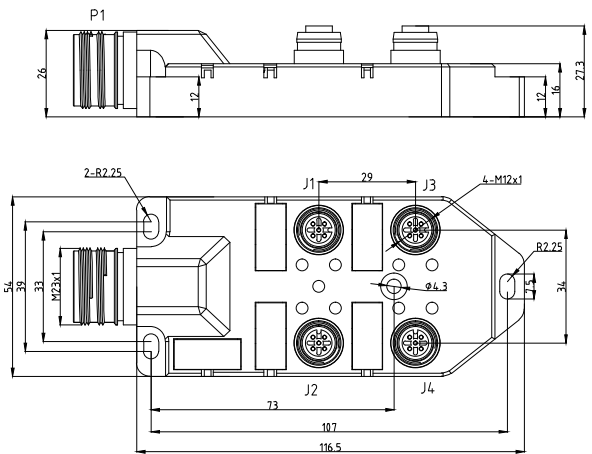
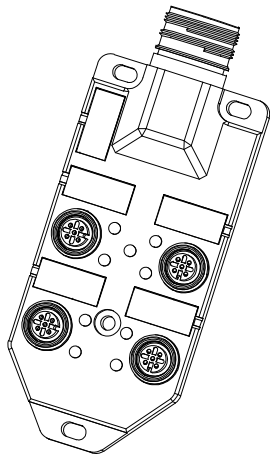
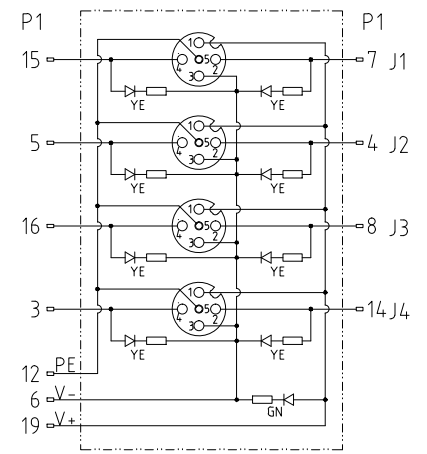


| SPECIFICATIONS                 |                        |
|--------------------------------|------------------------|
| HOUSING MATERIAL/COLOR         | NYLON/BLACK            |
| CONTACT CARRIER MATERIAL/COLOR | TPU/BLACK              |
| CONTACTS                       | BRASS/GOLD             |
| RECEPTACLE MATERIAL/PLATING    | BRASS/NICKEL           |
| O-RING MATERIAL                | FPM/FKM                |
| OPERATING CURRENT              | 2A PER SIGNAL,9A TOTAL |
| OPERATING VOLTAGE              | 10-30V                 |
| OPERATING TEMPERATURE          | -25°C — +85°C          |
| PROTECTION CLASS               | IEC IP67               |



WIRING DIAGRAM



| UNIT OF MEASUREMENT |       |                          |    |              |      | MILLIMETER   |  | <br>Tianjin Geneuo Technology Co.,Ltd |  |
|---------------------|-------|--------------------------|----|--------------|------|--|--|---------------------------------------|--|
| Approved:           | Date: | 2018.5.16                |    | Description: |      | JB4M12-4P-R  |  |                                       |  |
| Process:            | Date: | Scale: 1:1               |    |              |      |  |  |                                       |  |
| Checked:            | Date: | 3RD Angle Projection     |    |              |      | <a href="http://www.gsee-tech.cn">www.gsee-tech.cn</a><br><a href="http://www.gsee-tech.com">www.gsee-tech.com</a> |  | REV A                                 |  |
| Designed:           | Date: |                          |    |              |      | SOURCE DRAWING-FOR REFERENCE ONLY  |  |                                       |  |
| REV                 | COUNT | DESCRIPTION OF REVISIONS | BY | CHECKED      | DATE |  |  |                                       |  |