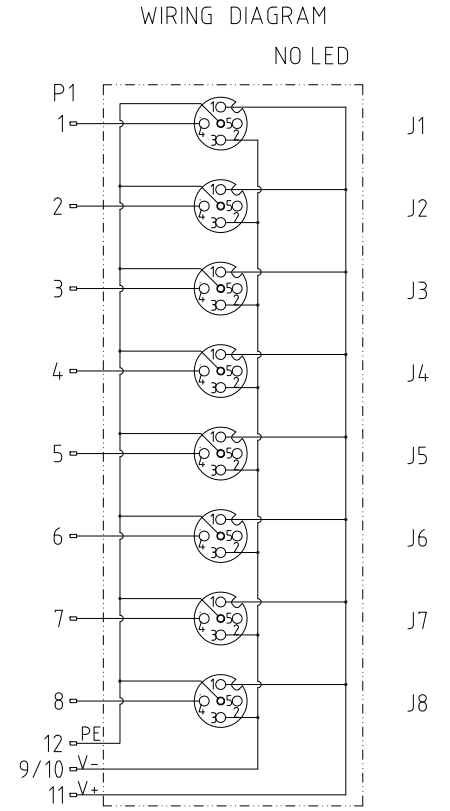
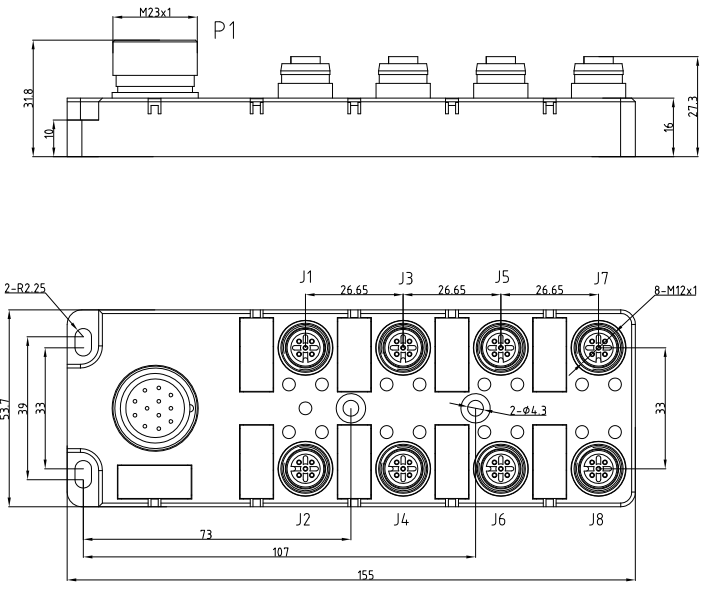
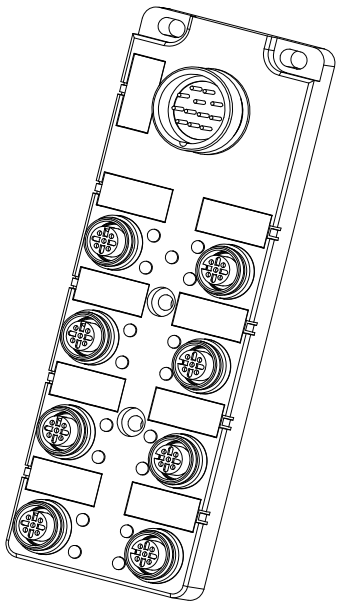


SPECIFICATIONS	
HOUSING MATERIAL/COLOR	NYLON/BLACK
CONTACT CARRIER MATERIAL/COLOR	TPU/BLACK
CONTACTS	BRASS/GOLD
RECEPTACLE MATERIAL/PLATING	BRASS/NICKEL
O-RING MATERIAL	FPM/FKM
OPERATING CURRENT	2A PER SIGNAL, 9A TOTAL
OPERATING VOLTAGE	10-30V
OPERATING TEMPERATURE	-25°C — +85°C
PROTECTION CLASS	IEC IP67



REV	COUNT	DESCRIPTION OF REVISIONS	BY	CHECKED	DATE

UNIT OF MEASUREMENT MILLIMETER	Tianjin Geneuo Technology Co.,Ltd	
Approved: Date:	Date: 2018.5.16	Description: JB8M12-4-T
Process: Date:	Scale: 1:1	
Checked: Date:	3RD Angle Projection	
Designed: Date:		
SOURCE DRAWING-FOR REFERENCE ONLY		REV A

