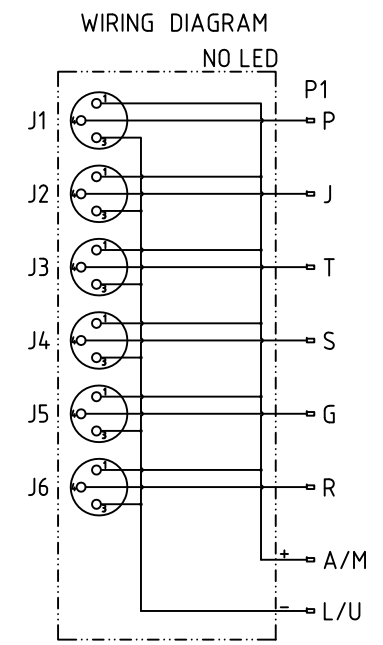
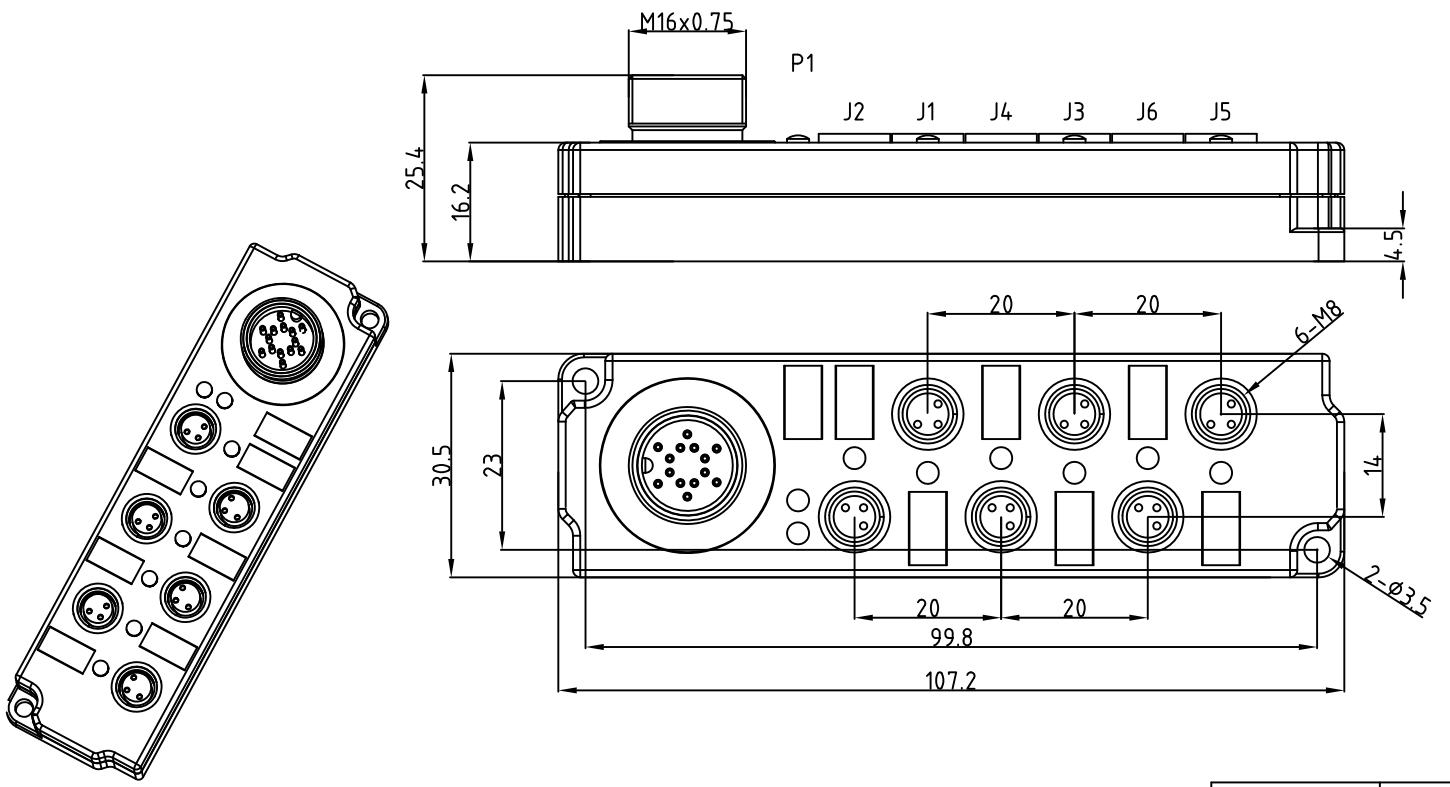


SPECIFICATIONS	
HOUSING MATERIAL/COLOR	NYLON/BLACK
CONTACT CARRIER MATERIAL/COLOR	NYLON/BLACK
CONTACTS	BRASS/GOLD
RECEPTACLE MATERIAL/PLATING	BRASS/NICKEL
O-RING MATERIAL	FKM/FPM
OPERATING CURRENT	2A PER SIGNAL, 6A TOTAL
OPERATING VOLTAGE	10-30V
OPERATING TEMPERATURE	-25°C — +85°C
PROTECTION CLASS	IEC IP67



REV	COUNT	DESCRIPTION OF REVISIONS	BY	CHECKED	DATE

UNIT OF MEASUREMENT MILLIMETER	GT GSEE TECH	
Tianjin Geneuo Technology Co.,Ltd		
Approved: Date:	Date: 2017.5.30	Description: JB6M8-3-M16
Process: Date:	Scale: 2:1	
Checked: Date:	3RD Angle Projection 	www.gsee-tech.cn www.gsee-tech.com
Designed: Date:		REV A
SOURCE DRAWING-FOR REFERENCE ONLY		